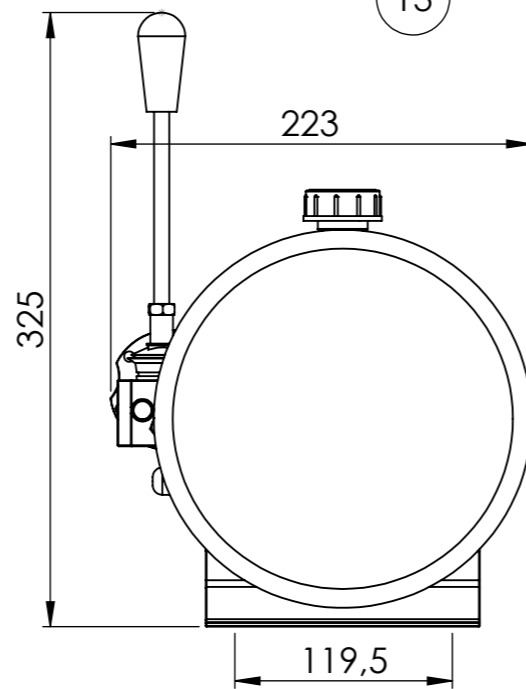
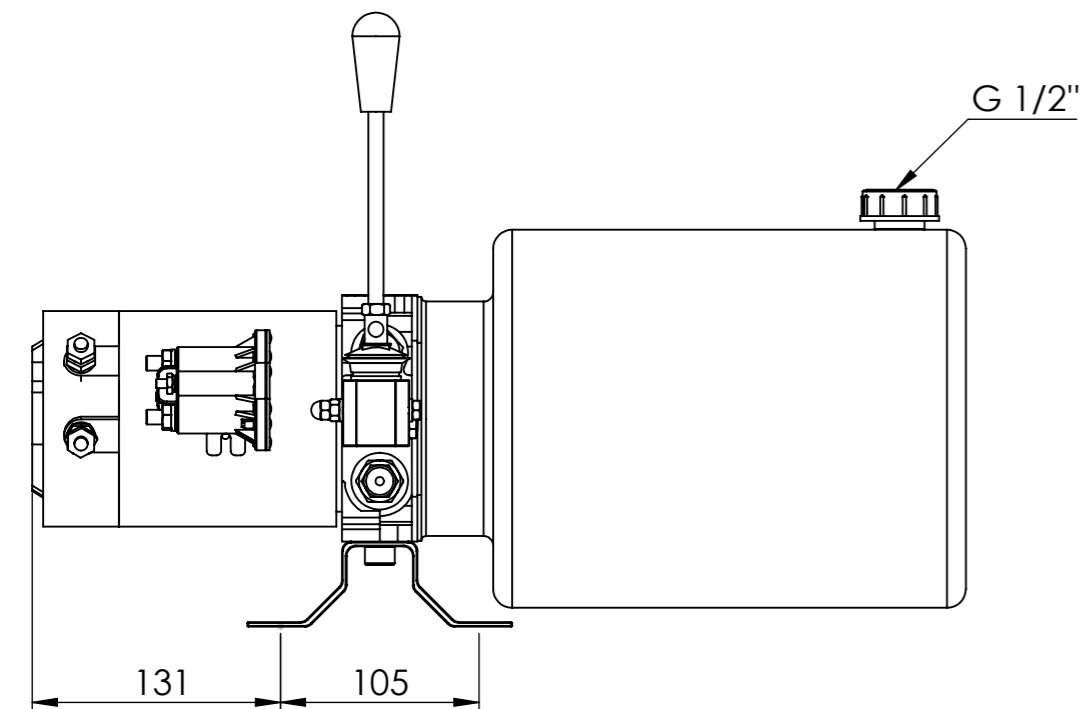
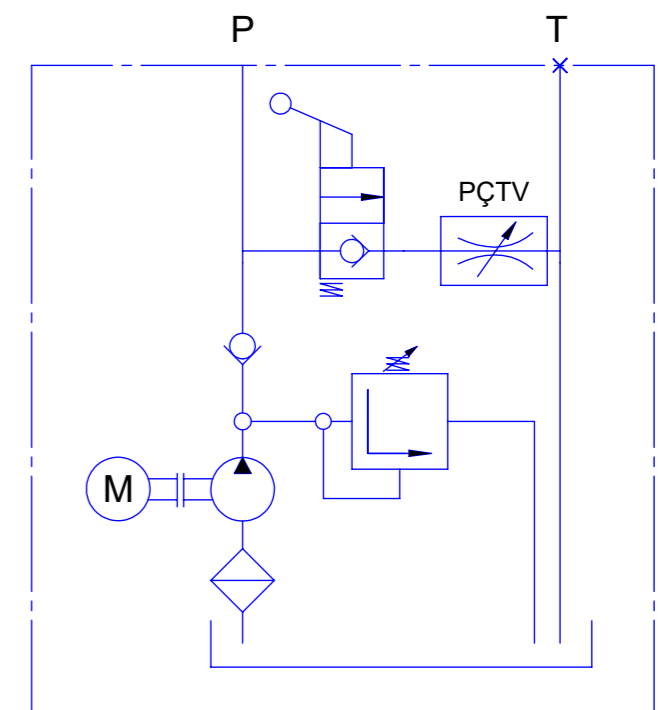


PART NO	PART NAME	QTY.
1	MBWP-10	1
2	DC coupling	1
3	Return plastic	1
4	Connection plate	1
7	Filter	1
8	AB-1/2"	1
9	10C1.3X302	1
10	SP-90-L	1
11	DC12MY-1.6	1
12	STT12V150	1
13	TV08Y	1
14	PÇTV	1
15	MP	1



Hydraulic Circuit
P, T = G 3/8"



NOTES

NOTES			MASS	DESIGNED BY	G.Yalvaç
ELECTRIC MOTOR	PUMP	OIL TANK	MAX PRESSURE	CHECKED BY	H.Tarhan
POWER 1.6 kW	DISPLACEMENT 1.3 cc/rev	CAPACITY 8 liter	220 bar	DATE	08.06.2019
VOLTAGE 12 V DC		TYPE Cylinder		REVISION	
SPEED 2500 rpm		ASSEMBLY Horizontal		REVISION DATE	
FREQUENCY		MATERIAL Steel			



Sanayi Mah. İzmit Sanayi Sitesi 13. cad. İç Kapı No:54
İzmit/Kocaeli-TURKEY
Tel: +90 262 335 63 66 Fax: +90 262 335 63 70
www.hydropack.com.tr / info@hydropack.com.tr

DESCRIPTION

MINI POWERPACK

SCALE: 1:5

DIMENSIONS: mm

A3