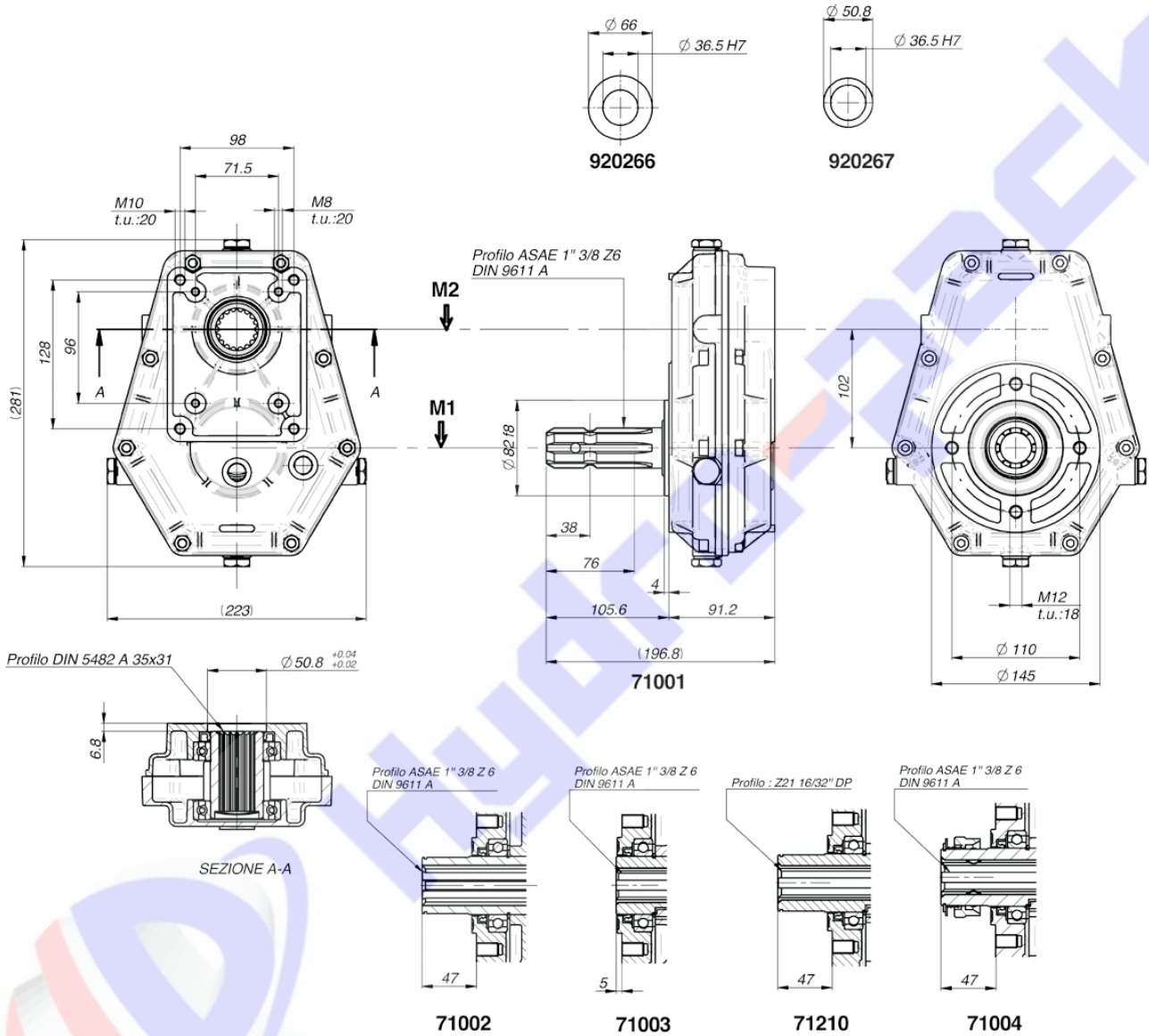


## Speed-up Gearboxes Series 71000 20 kW - Aluminium - Outlet pump flange Gr. 3 INSTALLATION DRAWING



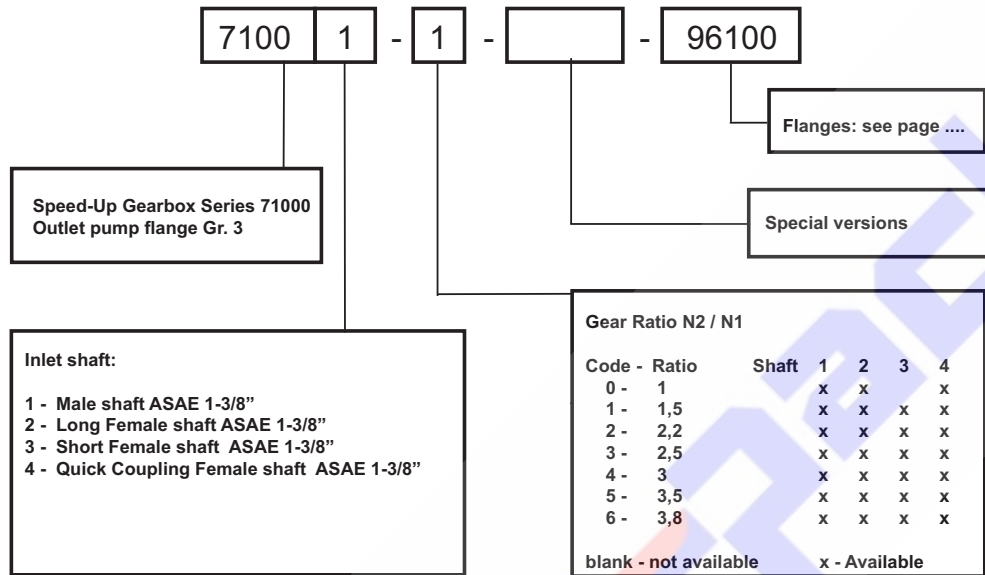
Housing oil capacity : lt 0,350

INPUT TORQUE M1 daNm	OUTPUT TORQUE M2 daNm	INPUT SPEED N1 n/min.	OUTPUT SPEED N2 n/min.	RATIO N2 /N1	POWER kW	MASS kg
31	31	540	540	1	20	8,4
38	26	540	810	1,5	20	8,4
43	21	540	1080	2	20	8,4
46	18	540	1408	2,5	20	8,4
49	16	540	1620	3	20	8,4
46	13	540	1836	3,5	20	8,4
43,7	11,5	540	2057	3,8	20	8,4

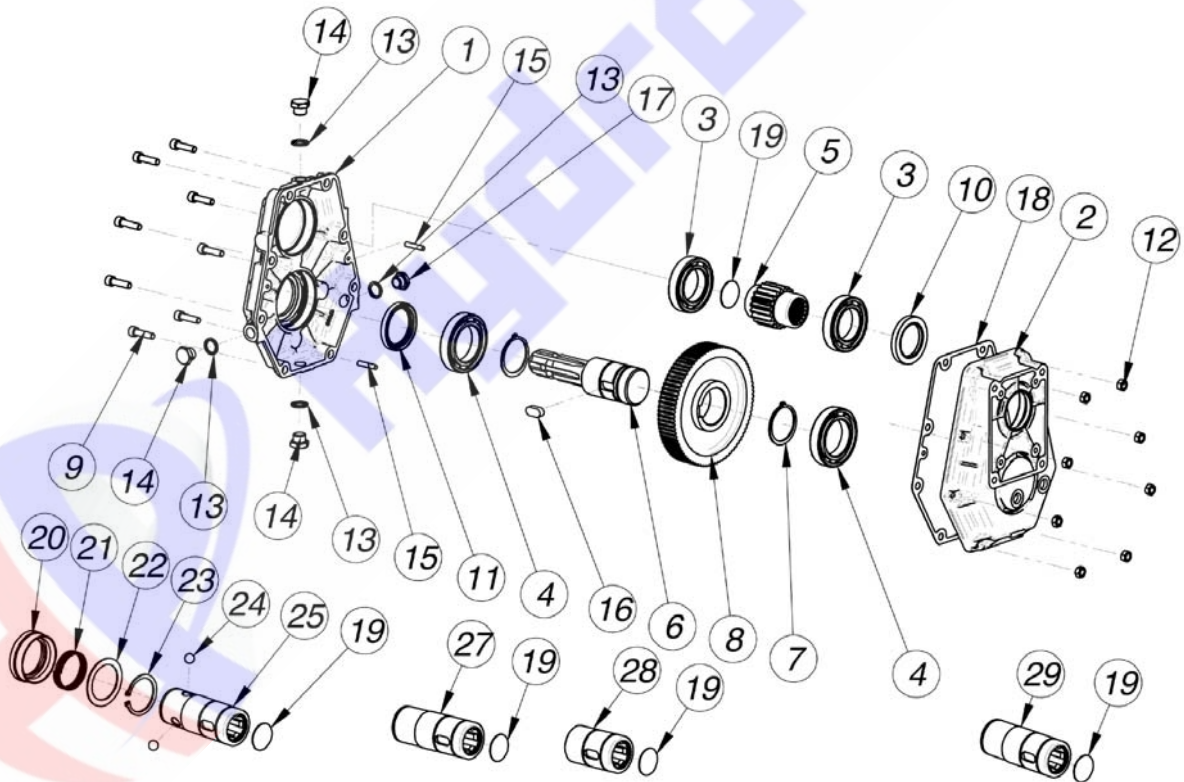
## Speed-up Gearboxes Series 71000

20 kW - Aluminium - Outlet pump flange Gr. 3

### ORDER CODE



### SPARE PARTS LIST



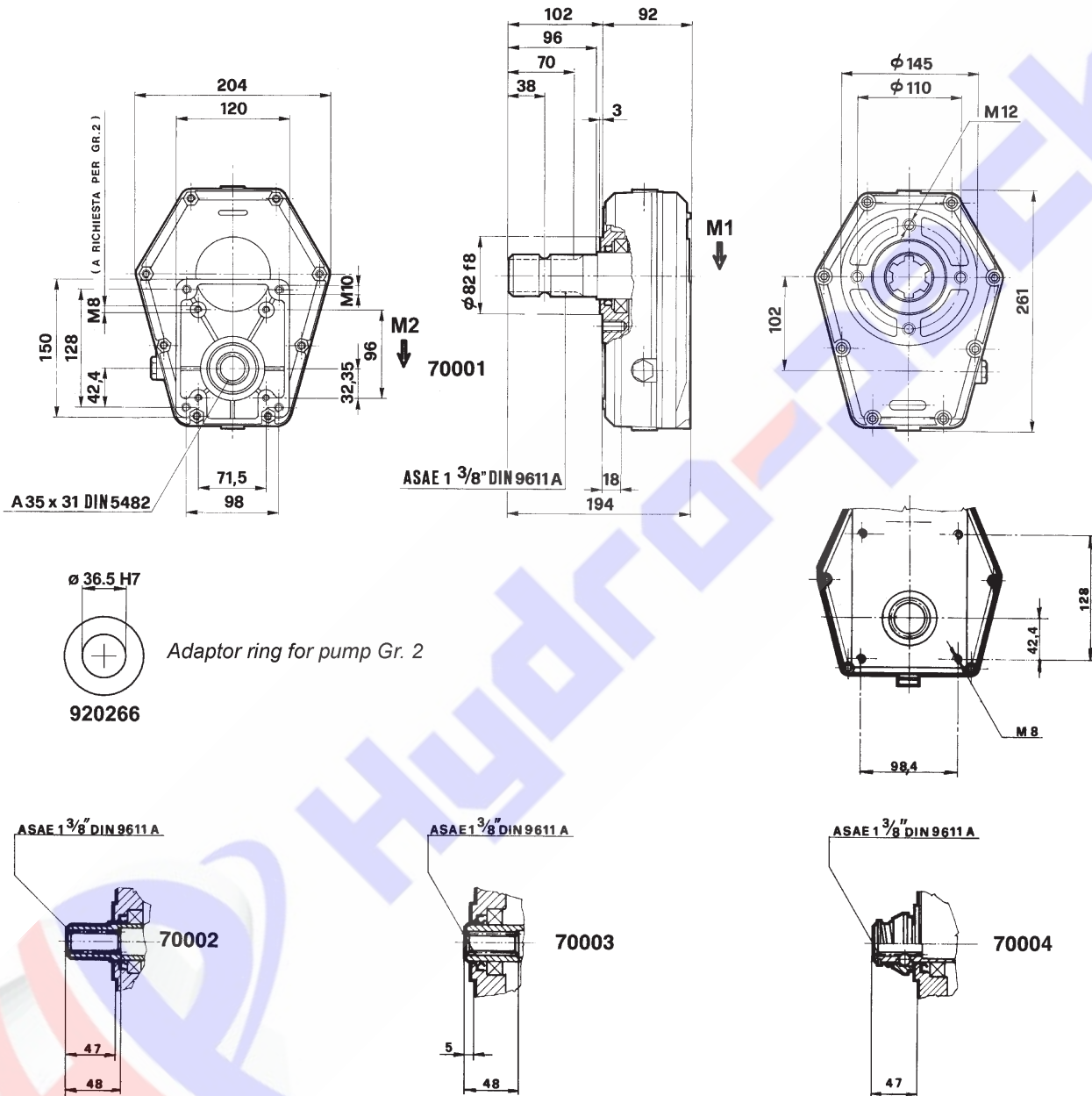
Ref.	DESCRIPTION	Q.ty
1	Housing	1
2	Cover	1
3	Bearing 6009	2
4	Bearing 6010	2
5	Pinion gear	1
6	Female P.T.O. shaft 1"3/8 Z6	1
7	Snap ring d.50	2
8	Ring gear	1
9	Socket capscrew M8x30	8
10	Sealing ring 45x65x8	1

Ref.	DESCRIPTION	Q.ty
11	Sealing ring 50x65x8	1
12	Nut M8	8
13	Gasket	4
14	Oil drain plug 3/8"	3
15	Peg d.6	2
16	Key 12x25	1
17	Oil drain plug 3/8"	1
18	Gasket	1
19	Cap DIN 470 D.37	1
20	Spring ring	1

Ref.	DESCRIPTION	Q.ty
21	Spring	1
22	Ring	1
23	Snap ring UNI 7435 - 50	1
24	Ball d.13	1
25	Female P.T.O. shaft 1"3/8" Z6, Quick fitting	1
27	Female P.T.O. shaft 1"3/8" Z6 long	1
28	Female P.T.O. shaft 1"3/8" Z6 long	1
29	Female P.T.O. shaft Z21 16/32" DP long	1

## Speed-up Gearboxes Series 70000 standard 20 kW - Aluminium - Outlet pump flange Gr. 3

### INSTALLATION DRAWING

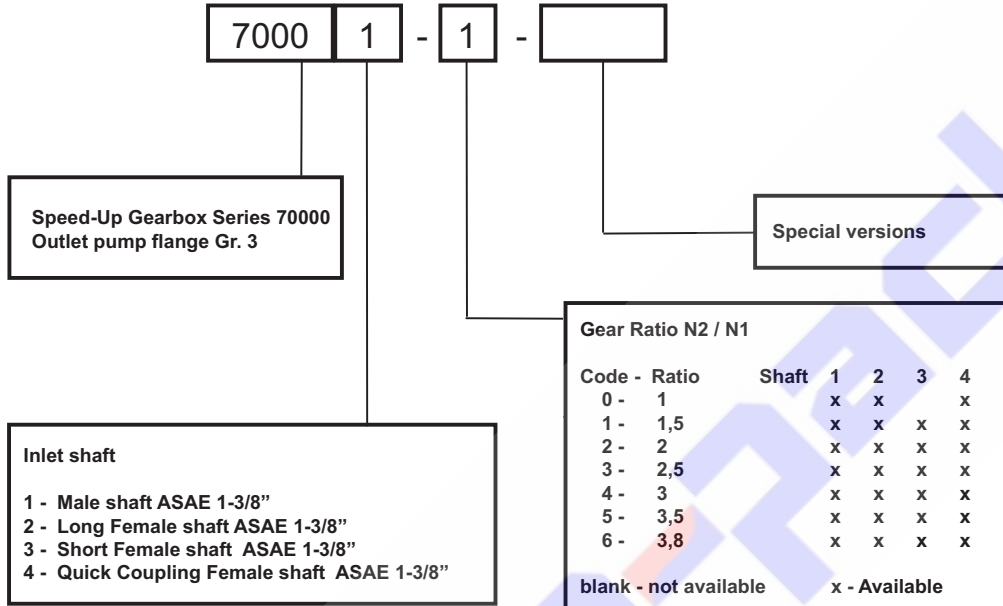


Housing oil capacity lt: 0,350

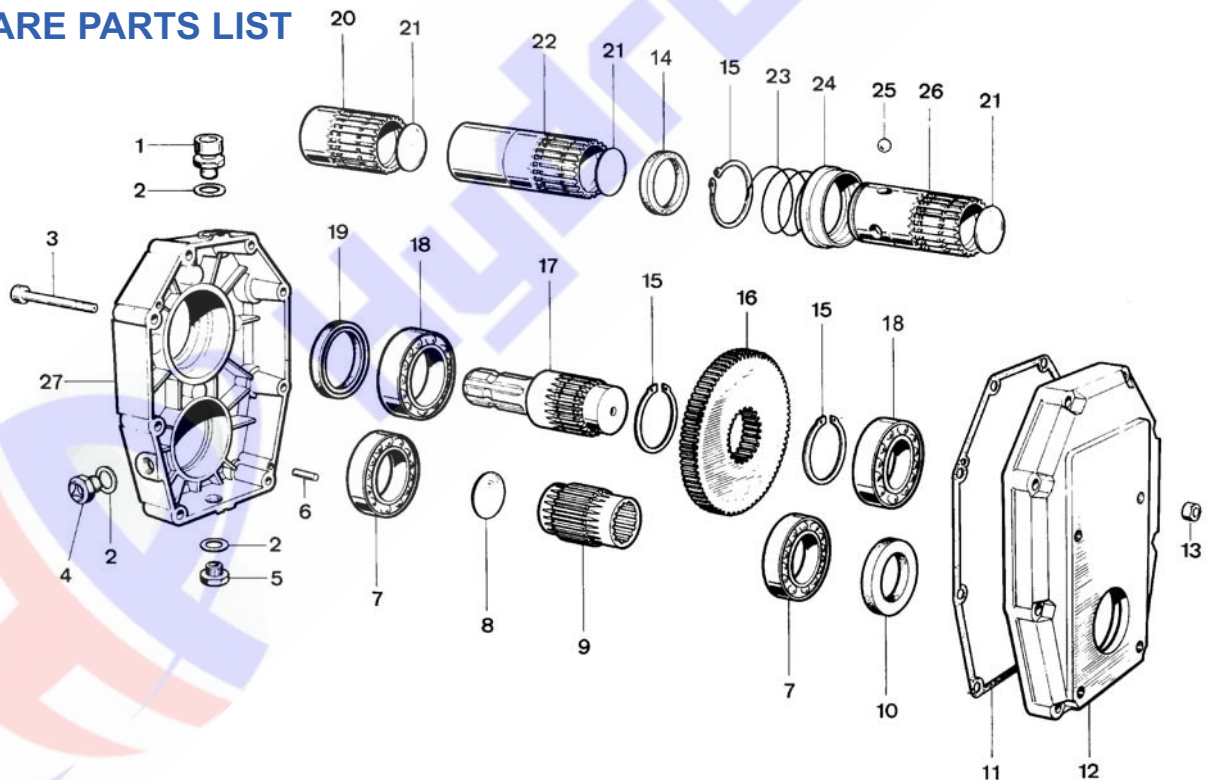
INPUT TORQUE M 1 daNm	OUTPUT TORQUE M 2 daNm	INPUT SPEED N 1 n/min.	OUTPUT SPEED N 2 n/min.	RATIO N 2 / N 1	POWER kW	MASS kg
31	31	540	540	1	20	8,1
38	26	540	810	1,5	20	8,1
43	21	540	1080	2	20	8,1
46	18	540	1408	2,5	20	8,1
49	16	540	1620	3	20	8,1
46	13	540	1836	3,5	20	8,1
43,7	11,5	540	2057	3,8	20	8,1

## Speed-up Gearboxes Series 70000 standard 20 kW - Aluminium - Outlet pump flange Gr. 3

### ORDER CODE



### SPARE PARTS LIST



REF.	DESCRIPTION	Q.ty
1	Oil breather plug 3/8"	1
2	Gasket	2
3	Socket capscrew M8x70	8
4	Oil level plug 3/8"	1
5	Oil drain plug 3/8"	1
6	Peg	2
7	Bearing type 6009	2
8	Cap DIN 470 Ø 37	1
9	Pinion Gear	1

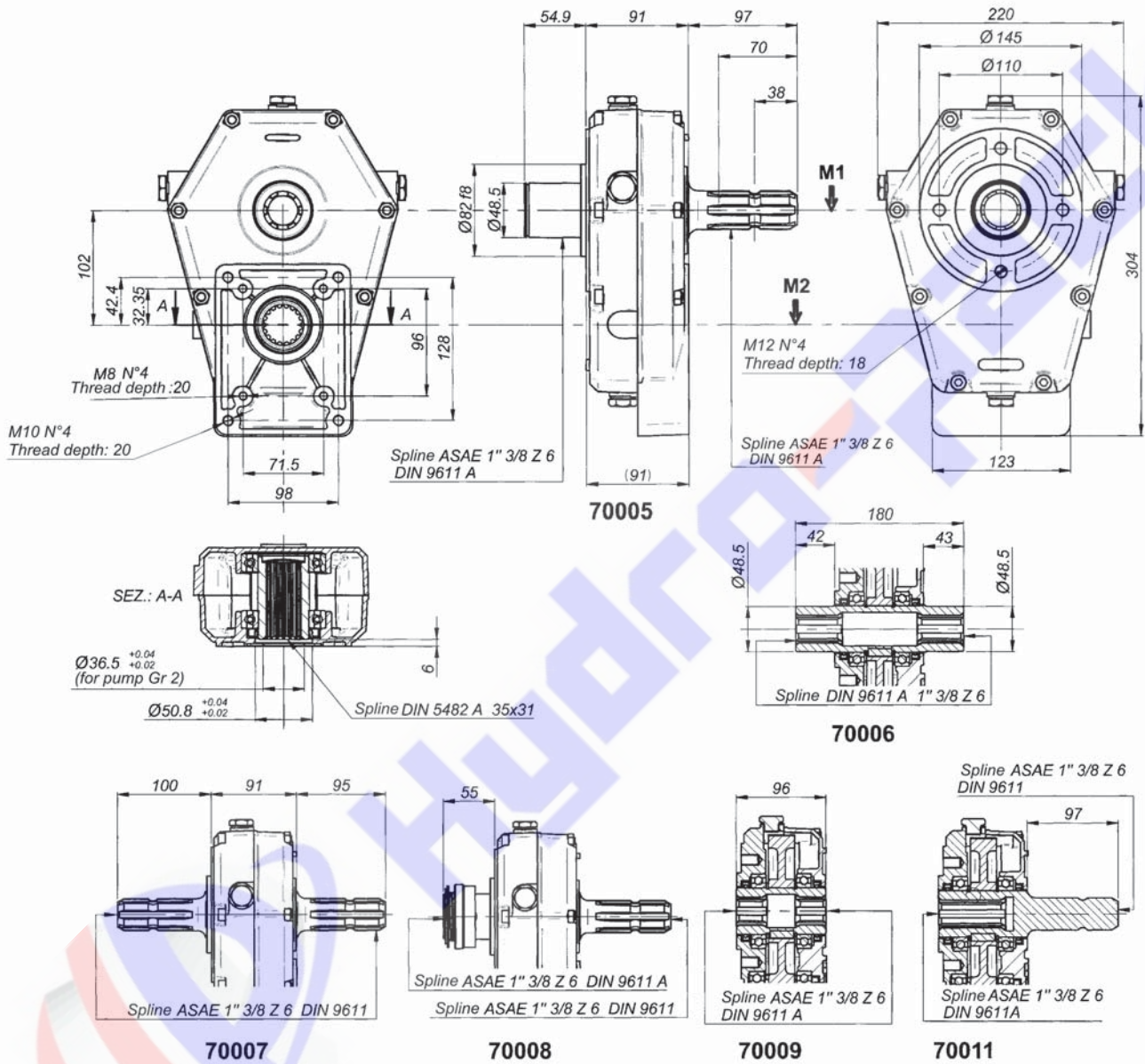
REF.	DESCRIPTION	Q.ty
10	Sealing ring Ø 45x65x8	1
11	Gasket	1
12	Cover	1
13	Nut M8	8
14	Ring	1
15	Snap ring dia. 50	3
16	Ring gear	1
17	Male P.T.O. shaft 1" 3/8	1
18	Bearing type 6010	2
19	Sealing ring Ø 50x65x8	1

REF.	DESCRIPTION	Q.ty
20	Female P.T.O. shaft 1" 3/8 short	1
21	Cap DIN 470 Ø 40	3
22	Female P.T.O. shaft 1" 3/8 long	1
23	Spring	1
24	Ring	1
25	Ball	3
26	Female P.T.O. quick coupling	1
27	Housing	1



## Speed-up Gearboxes Series 70000 through shaft 20 kW - Aluminium - Outlet pump flange Gr. 3

### INSTALLATION DRAWING



Housing oil capacity lt: 0,350

INPUT TORQUE M 1 daNm	OUTPUT TORQUE M 2 daNm	INPUT SPEED N 1 n/min.	OUTPUT SPEED N 2 n/min.	RATIO N 2 / N 1	POWER kW	MASS kg
31	31	540	540	1	20	9,5
38	26	540	810	1,5	20	9,5
43	21	540	1080	2	20	9,5
46	18	540	1408	2,5	20	9,5
49	16	540	1620	3	20	9,5
46	13	540	1836	3,5	20	9,5
43,7	11,5	540	2057	3,8	20	9,5

## Speed-up Gearboxes Series 70000 through shaft 20 kW - Aluminium - Outlet pump flange Gr. 3

### ORDER CODE

7000
5 - 1 -

**Speed-Up Gearbox Series 70000  
Through-shaft  
Outlet pump flange Gr. 3**

**Special versions**

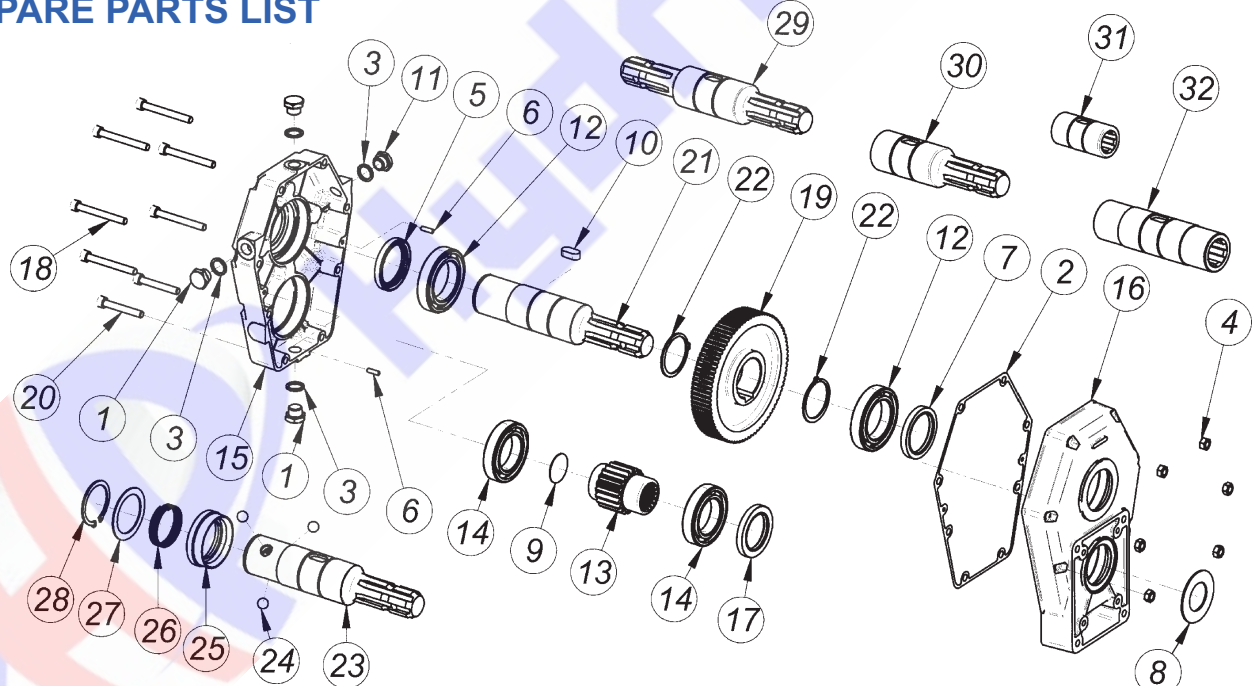
**Through shaft**

5 - Male-Long Female shaft ASAE 1-3/8"  
 6 - Long Female- Long Female shaft ASAE 1-3/8"  
 7 - Male-Male shaft ASAE 1-3/8"  
 8 - Male- Quick Coupling shaft ASAE 1-3/8"  
 9 - Short Female-Short Female shaft ASAE 1-3/8"  
 11- Male-Short Female shaft ASAE 1-3/8"

**Gear Ratio N2 / N1**

Code - Ratio	Shaft	5	6	7	8	9	11
0 -						x	
1 - 1,5		x	x	x	x		
2 - 2		x	x	x	x		x
3 - 2,5		x	x	x	x		
4 - 3		x	x	x	x	x	x
5 - 3,5		x	x	x	x	x	x
6 - 3,8		x	x	x	x	x	x
blank - not available		x - Available					

### SPARE PARTS LIST



Ref.	DESCRIPTION	Q.ty
1	Oil drain plug 3/8"	3
2	Gasket	1
3	Gasket	4
4	Nut M8	6
5	Sealing ring 50x65x8	1
6	Peg UNI 8751 5x16	2
7	Sealing ring 50x65x8	1
8	Centering ring for pump group 2	1
9	Cap DIN 470 D.37	1
10	Key 12x25	1
11	Oil drain plug 3/8"	1
12	Bearing 6010	2
13	Pinion gear	1
14	Bearing 6009	2

Ref.	DESCRIPTION	Q.ty
15	Housing	1
16	Cover	1
17	Sealing ring 45x65x8	1
18	Socket capscREW M8x70	6
19	Ring gear	1
20	Socket capscREW M8x55	2
21	Female-Male P.T.O. shaft 1"3/8" Z6	1
22	Snap ring d.50	2
23	Female-Male P.T.O. - Quick coupling shaft 1" 3/8" Z6	1
24	Ball	3

Ref.	DESCRIPTION	Q.ty
25	Spring ring	1
26	Spring	1
27	Ring	1
28	Snap ring UNI 7435 - 50	1
29	Male-Male P.T.O. shaft 1"3/8" Z6	1
30	Female-Male P.T.O. shaft 1"3/8" Z6 short	1
31	Female P.T.O. shaft 1"3/8" Z6 short	1
32	Female P.T.O. shaft 1"3/8" Z6	1