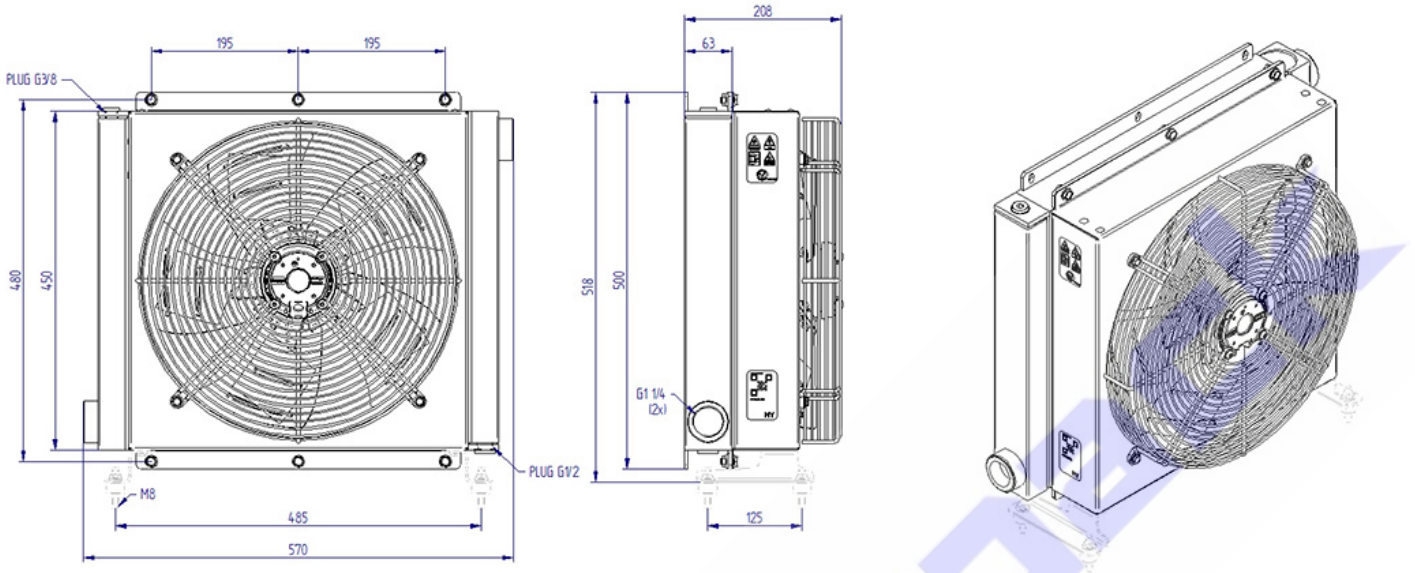


HY series HY05701

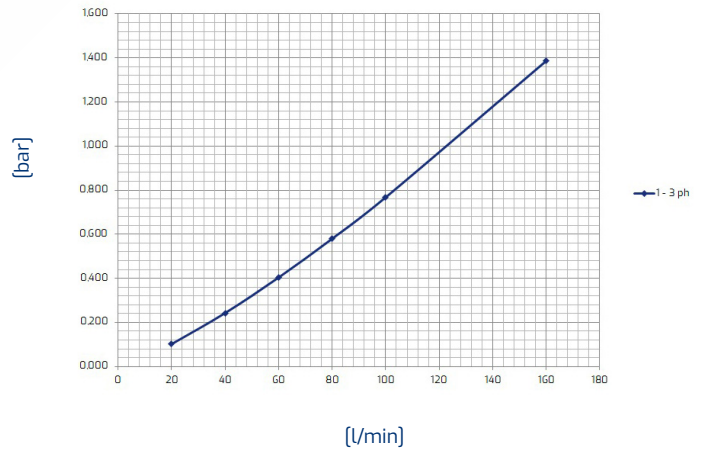
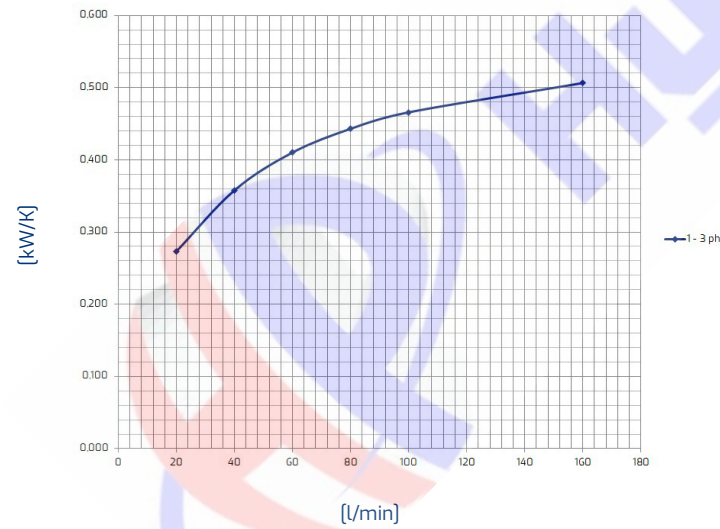


Technical data

Item	Oil flow [l/min]	Capacity [l]	Weight [kg]	Rpm	Voltage [V]	Frequency [Hz]	Current absorption [A]	Power [W]	Ø Fan [mm]	Air flow [m ³ /h]	Noise level [db(A)]
HY05701	20-160	3,7	19,5		230	50/60	0,30	127	400	1830	69
HY05703	20-160	3,7	19,5		230/400	50/60	0,58	134	400	1820	68

Performance

Pressure drop



Oil T 80°C
T Amb. 40°C

Viscosity - ISO VG 32 Oil					
Oil	22	32	46	68	150
Correction factor	0,8	1	1,2	1,6	3