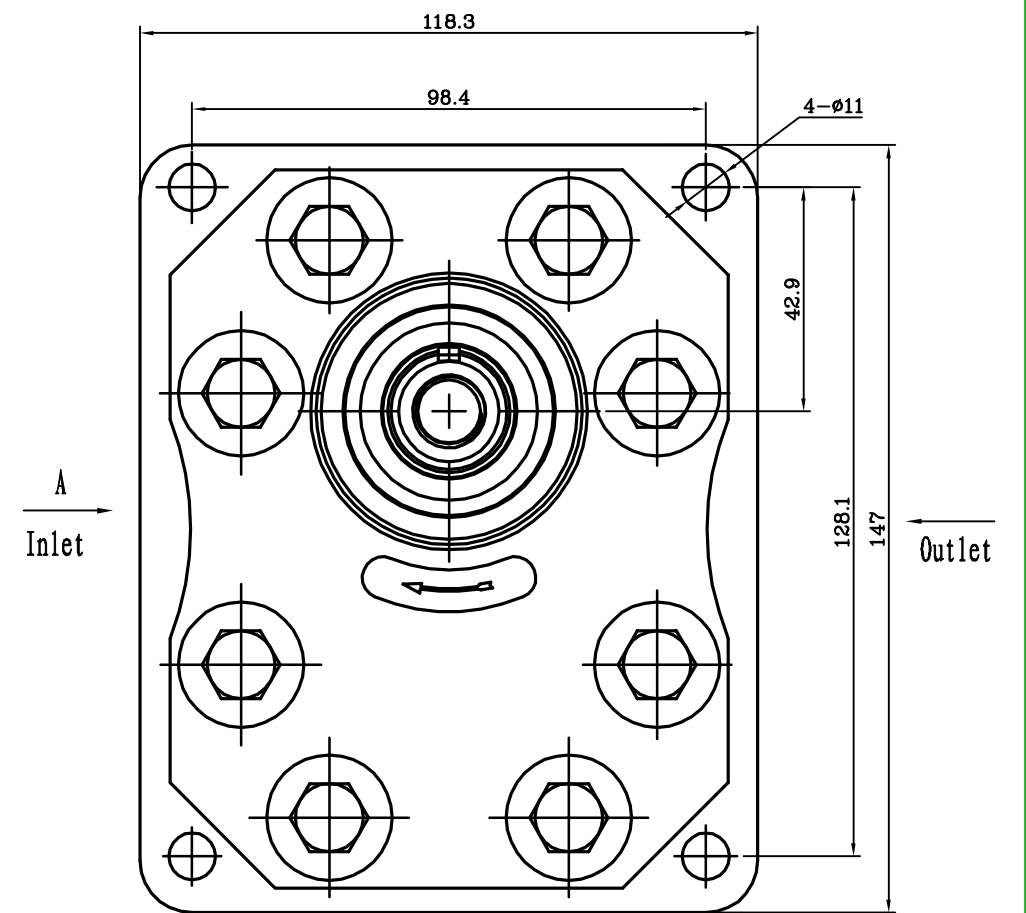
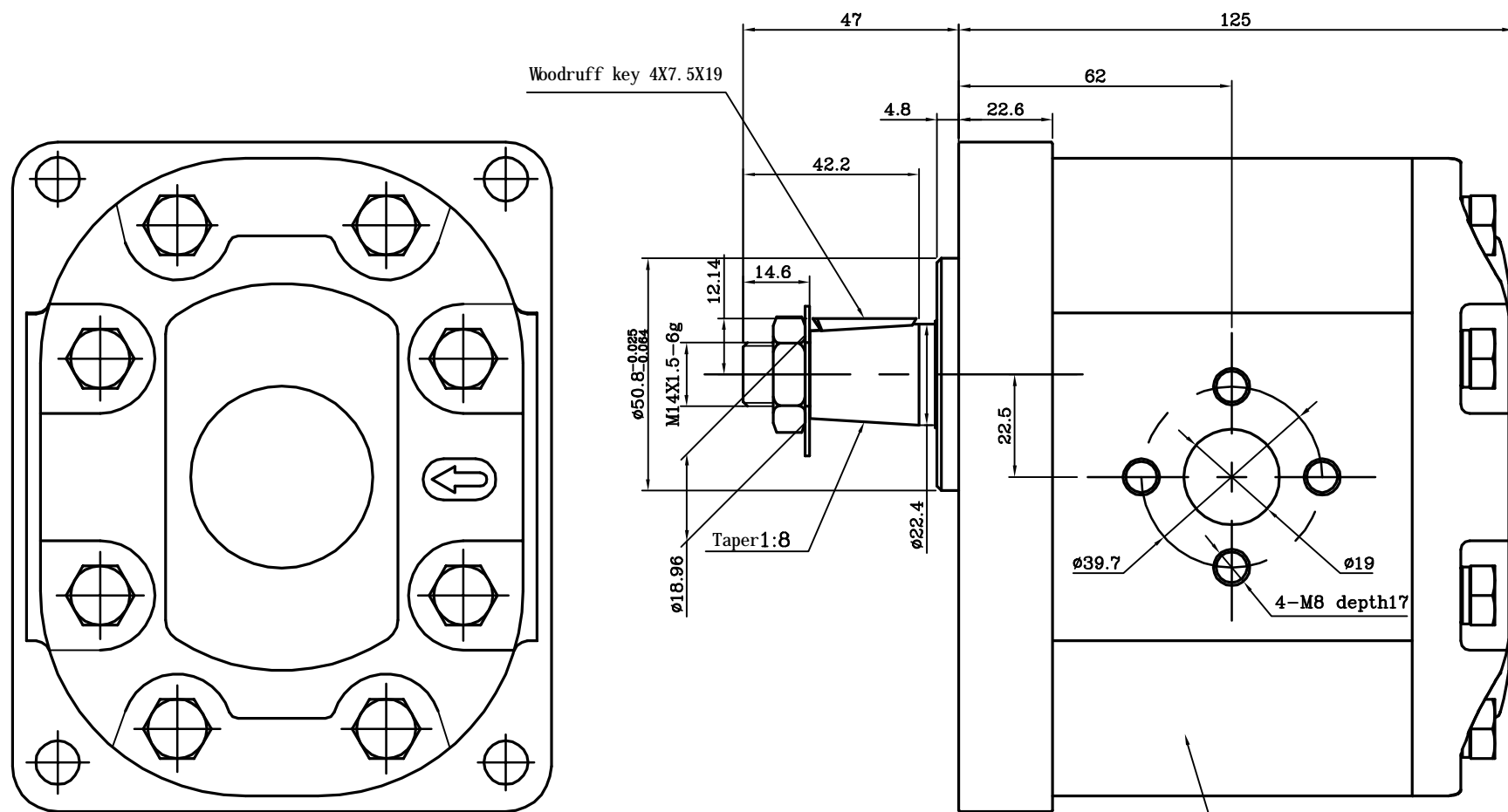
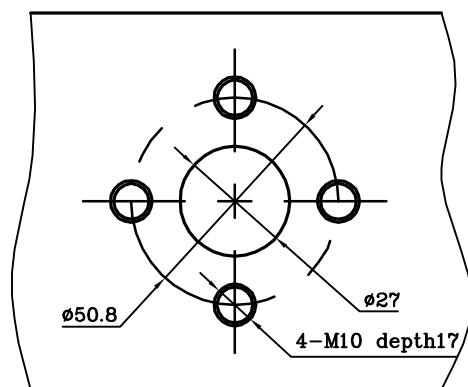


model	rotation direction	rotation code	disp. ml/r	Max Pressure MPa	Max Speed r/min	A	A1	Inlet		Outlet			
C.W. anticlockwise	CSAX.	AAAX.	42.6	20	3000	123.5	60	ø50.8	ø27	M10	ø39.7	ø19	M8
C.W. anticlockwise	CSAX.	ASAX.	24.5			25	111.5	54	ø39.7	ø19	M8	ø39.7	ø19
C.W. anticlockwise	CSAX.	ASAX.	19.5			108	52.4	ø39.7	ø19	M8	ø39.7	ø19	M8



A
Inlet



It is clockwise; if anticlockwise, the inlet and outlet must exchange.

	C.W.	C72X.	32.7	20	25	3000
	anticlockwise	A72X.				
	Rotation direction	custom code	disp. ml/r	Rated Pressure MPa	Max Pressure MPa	Max Speed r/min